

Clariflo®



DOUBLE HEADED METAL NIBBLER

MODEL NO: DHC-2

PART NO: 6500233

OPERATION & MAINTENANCE INSTRUCTIONS

ORIGINAL INSTRUCTIONS

GC0621 REV 1

INTRODUCTION

Thank you for purchasing this CLARKE Double Headed Metal Nibbler.

Before attempting to use this product, please read this manual thoroughly and follow the instructions carefully. In doing so you will ensure the safety of yourself and that of others around you, and you can look forward to your purchase giving you long and satisfactory service.

GUARANTEE

This product is guaranteed against faulty manufacture for a period of 12 months from the date of purchase. Please keep your receipt which will be required as proof of purchase.

This guarantee is invalid if the product is found to have been abused or tampered with in any way, or not used for the purpose for which it was intended.

Faulty goods should be returned to their place of purchase, no product can be returned to us without prior permission.

This guarantee does not effect your statutory rights.

CUTTING CAPACITY

	MAXIMUM CUTTING CAPACITY
Steel plate	1.8mm
Stainless steel plate	1.2mm
Copper/aluminium	2mm
Plastic fibre board	2mm
Minimum cutting radius	12mm

SAFETY WARNINGS

The term 'Power tool' in the safety warnings refers to any electric / battery or pneumatic drill, required to use this nibbler.

WORK AREA SAFETY

1. **Keep work area clean and well lit.** Cluttered and dark areas invite accidents.
2. **Do not operate power tools in explosive atmospheres, such as in the presence of flammable liquids, gases or dust.** Power tools create sparks which may ignite the dust or fumes.
3. **Keep children and bystanders away while operating a power tool.** Distractions can cause you to lose control.

ELECTRICAL SAFETY

1. **Avoid body contact with earthed or grounded surfaces such as pipes, radiators, ranges and refrigerators.** There is an increased risk of electric shock if your body is earthed or grounded.
2. **Do not expose power tools to rain or wet conditions.** Water entering a power tool will increase the risk of electric shock.

PERSONAL SAFETY

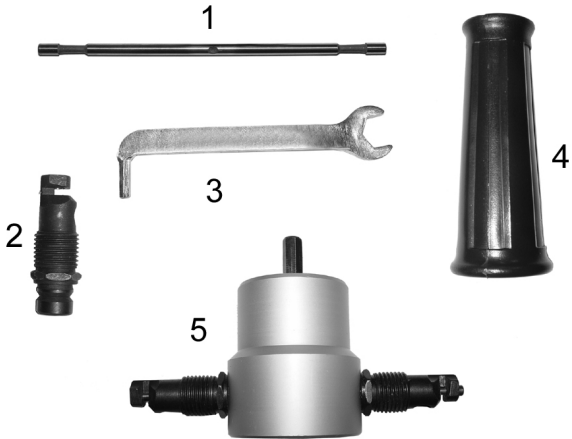
1. **Stay alert, watch what you are doing and use common sense when operating a power tool. Do not use a power tool while you are tired or under the influence of drugs, alcohol or medication.** A moment of inattention while operating power tools may result in serious personal injury.

2. **Use safety equipment. Always wear eye protection.** Safety equipment such as dust mask, non-skid safety shoes, hard hat, or hearing protection used for appropriate conditions will reduce personal injuries.
3. **Remove any adjusting key or wrench before turning the power tool on.** A wrench or a key left attached to a rotating part of the power tool may result in personal injury.
4. **Do not overreach. Keep proper footing and balance at all times.** This enables better control of the power tool in unexpected situations.
5. **Dress properly. Do not wear loose clothing or jewellery. Keep your hair, clothing and gloves away from moving parts.** Loose clothes, jewellery or long hair can be caught in moving parts.

POWER TOOL USE AND CARE

1. **Do not force the power tool. Use the correct power tool for your application.** The correct power tool will do the job better and safer at the rate for which it was designed.
2. **Do not use the power tool if the switch does not turn it on and off.** Any power tool that cannot be controlled with the switch is dangerous and must be repaired.
3. **Store idle power tools out of the reach of children.** Power tools are dangerous in the hands of untrained users.

PARTS IDENTIFICATION



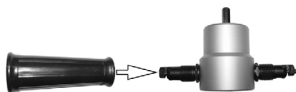
	Description
1	Double ended cutter
2	Cutter guide (2 Fitted + 1 Spare)
3	Wrench
4	Plastic Handle
5	Double Headed Metal Nibbler

BEFORE USE

FITTING THE HANDLE TO THE METAL NIBBLER

1. Screw the handle over one of the cutter guides as shown.

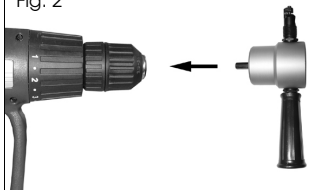
Fig. 1



FITTING THE METAL NIBBLER TO THE DRILL

1. Slide the nibbler drive spindle into your drill and tighten the drill chuck.
 - The drill should have a speed rating of 1500-3000 rpm.

Fig. 2



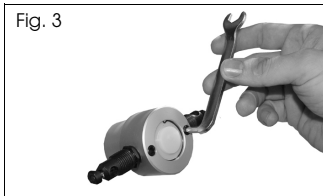
LOCKING/LOOSENING THE CUTTER GUIDE

Turn the cutter guide locking bolt clockwise to lock the cutter guide into position and anticlockwise to allow the cutter guide to rotate freely.

- For straight cuts, lock the cutter guide into position.
- For curved cuts, allow the cutter guide to rotate freely.

Only loosen the cutter guide locking bolt enough to allow the cutter guide to rotate freely. If you loosen it too much the cutter guide will fall off.

Fig. 3



OPERATION

- Apply the metal nibbler to the workpiece only when running at full speed.
- Always hold the metal nibbler vertical to the surface of the steel sheet and without tilting. The cut takes place during the upward motion of the nibbler.



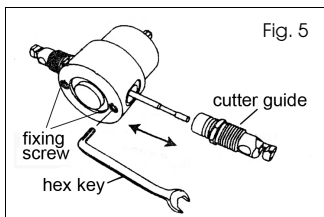
- Guide the nibbler evenly and with moderate feed pressure in the cutting direction.
- Do not exert force in case the nibbler and cutter guide become damaged.

USING THE METAL NIBBLER

- Straight cuts are carried out best when the nibbler is guided alongside a ruler/straight edge.
- Contours can be cut by guiding the nibbler along a curved template.
- For inside cuts you will need to pre-drill a 10 mm hole.

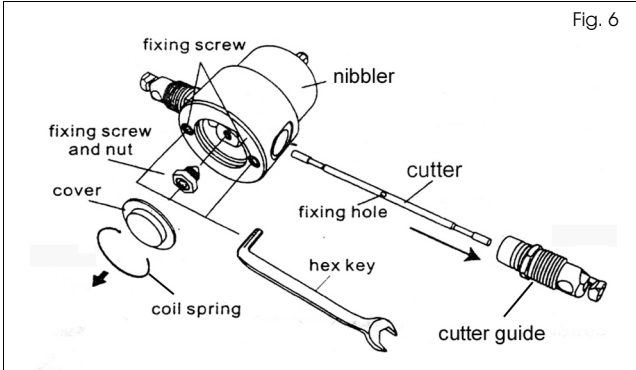
CHANGING THE CUTTER GUIDE

1. Remove cutter guide fixing screws using the hex key.
2. Pull the cutter guide away from the main body.
3. Replace the cutter guide with a new one and tighten the fixing screw to secure.

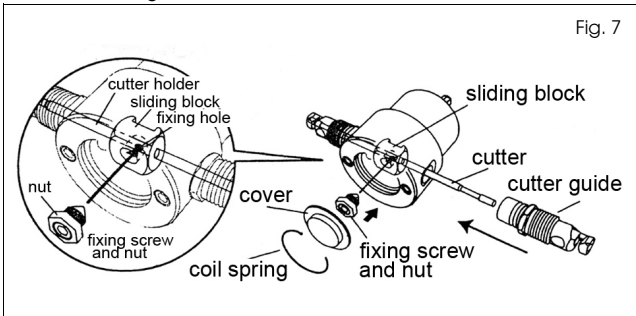


CHANGING THE CUTTER

1. Loosen the cutter guide fixing screws using the hex key.
2. Lift out the coil spring and cover shown in the picture and loosen the fixing screw and nut.
3. Slide out the cutter.



4. Replace with a new cutter and retighten the fixing screw and nut using the hex key supplied.
 - The fixing nut locks into the indentation on the cutter.



5. Replace the cover and coil spring.
6. Refit the cutter guide.

A SELECTION FROM THE VAST RANGE OF

Clarke®

QUALITY PRODUCTS



AIR COMPRESSORS

From DIY to industrial, Plus air tools, spray guns and accessories.

GENERATORS

Prime duty or emergency standby for business, home and leisure.

POWER WASHERS

Hot and cold, electric and engine driven - we have what you need

WELDERS

Mig, Arc, Tig and Spot. From DIY to auto/Industrial.

METALWORKING

Drills, grinders and saws for DIY and professional use.

WOODWORKING

Saws, sanders, lathes, mortisers and dust extraction.

HYDRAULICS

Cranes, body repair kits, transmission jacks for all types of workshop use.

WATER PUMPS

Submersible, electric and engine driven for DIY, agriculture and industry.

POWERTOOLS

Angle grinders, cordless drill sets, saws and sanders.

STARTERS/CHARGERS

All sizes for car and commercial use.

PARTS & SERVICE: 0208 988 7400

Parts Enquiries

Parts@clarkeinternational.com

Servicing & Technical Enquiries

Service@clarkeinternational.com

SALES: UK 01992 565333 or Export 00 44 (0)1992 565335

Clarke INTERNATIONAL Hemnall Street, Epping, Essex CM16 4LG
www.clarkeinternational.com